
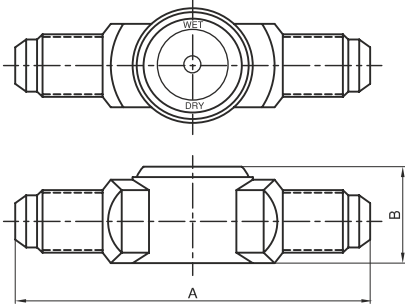

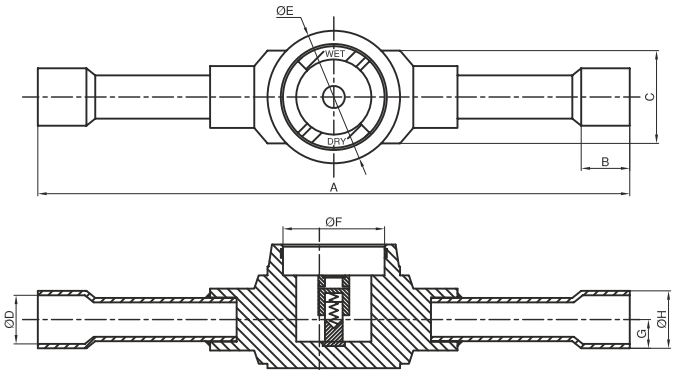


MOISTURE-LIQUID INDICATOR SIGHT GLASS

IMAGES, DRAWINGS & MODELS AVAILABLE

FLARE CONNECTION	DIMENSIONAL DATA
	

Sr. No.	Model No.	End Connection	A		B	
			mm	inch	mm	inch
1	DSG-02F	1/4"SAE	73	2.87	19	0.75
2	DSG-03F	3/8"SAE	70	2.76	30	1.81
3	DSG-04F	1/2"SAE	70	2.76	30	1.81
4	DSG-05F	5/8"SAE	80	3.15	30	1.81

ODF CONNECTION	DIMENSIONAL DATA
	

Sr. No.	Model No.	End Connection	A		B		C		D		E		F		G		H	
			mm	inch	mm	inch	mm	inch	mm	inch	mm	inch	mm	inch	mm	inch	mm	inch
1	DSG - 02S	1/4" ODF	101	3.98	7	0.27	14	0.55	6.35	0.25	27	1.06	18.5	0.72	4	0.51	8	0.31
2	DSG - 03S	3/8" ODF	119	4.69	9	0.35	14	0.55	9.52	0.37	27	1.06	19	0.74	5.75	0.39	11.5	0.45
3	DSG - 04S	1/2" ODF	146	5.75	11.5	0.45	18	0.71	12.7	0.50	27	1.06	19	0.74	7.25	0.28	14.5	0.57
4	DSG - 05S	5/8" ODF	146	5.75	12	0.47	20.5	0.8	15.8	0.62	27	1.06	19	0.74	8.75	0.34	17.5	0.68
5	DSG - 06S	3/4" ODF	172	6.77	18	0.70	21	0.83	19.05	0.75	32	1.26	23.5	0.93	10.65	0.41	21.3	0.83
6	DSG - 07S	7/8" ODF	173	6.81	19	0.75	27	1.06	22.2	0.87	31	1.22	23.8	0.93	12.25	0.48	24.5	0.96

